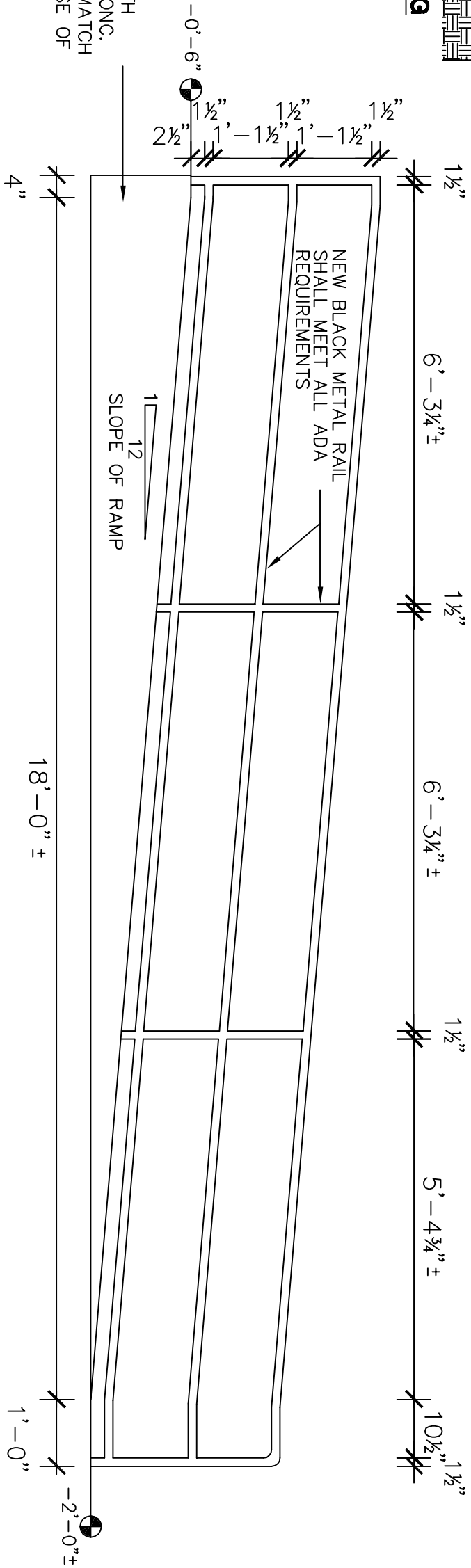
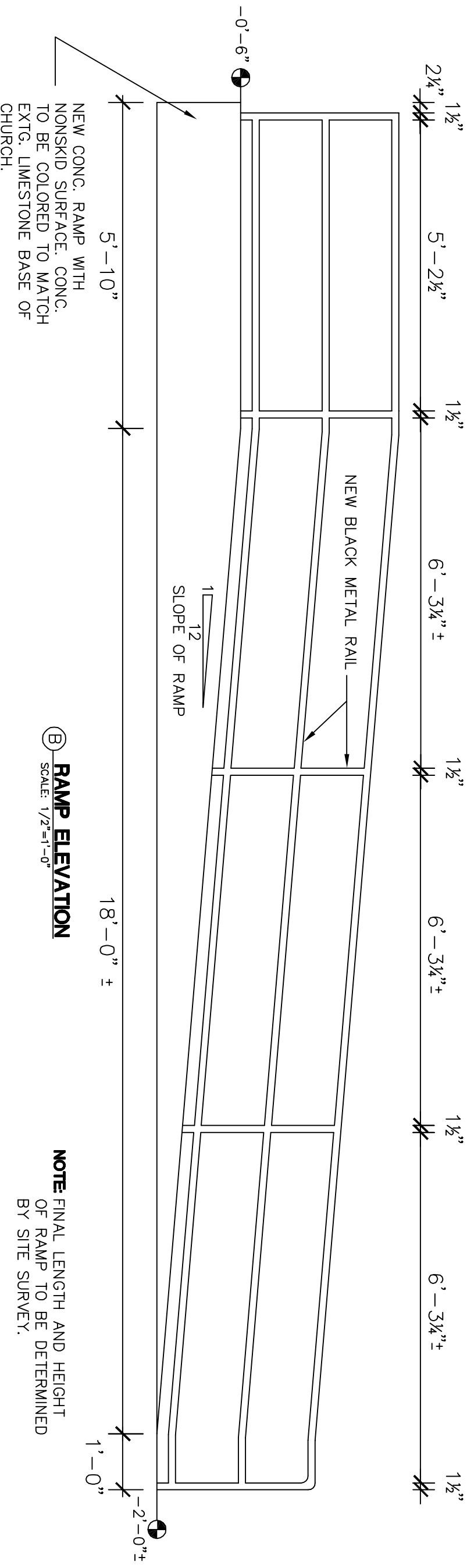


① **CONCRETE PAVING**
NOT TO SCALE

NEW CONC. RAMP WITH NONSKID SURFACE. CONC. TO BE COLORED TO MATCH EXTG. LIMESTONE BASE OF CHURCH.



Ⓐ **RAMP ELEVATION**
SCALE: 1/2"=1'-0"



Ⓑ **RAMP ELEVATION**
SCALE: 1/2"=1'-0"

NOTE: FINAL LENGTH AND HEIGHT OF RAMP TO BE DETERMINED BY SITE SURVEY.

FRANKLIN CIRCLE CHRISTIAN CHURCH HANDICAP RAMP

1688 FULTON ROAD
CLEVELAND, OHIO 44113

Architect
Saklani Architecture and Design
1085 Leedale Avenue
Lakewood, Ohio 44107

DATE:	11/20/06	
SCALE:	VARIABLES	
DRAWN:	SAK	
CHECKED:	SAK	
PROJECT NO.:	0306	
REVISIONS		
NO.	DATE	DESCRIPTION

RAMP DETAILS AND ELEVATIONS